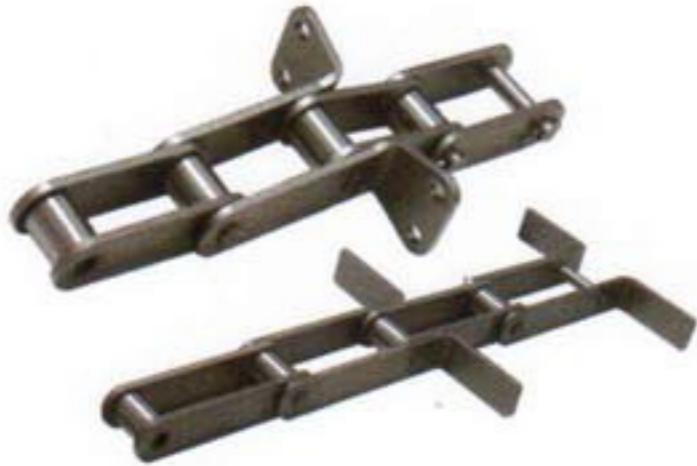


Roller Conveyor Chains & Flights

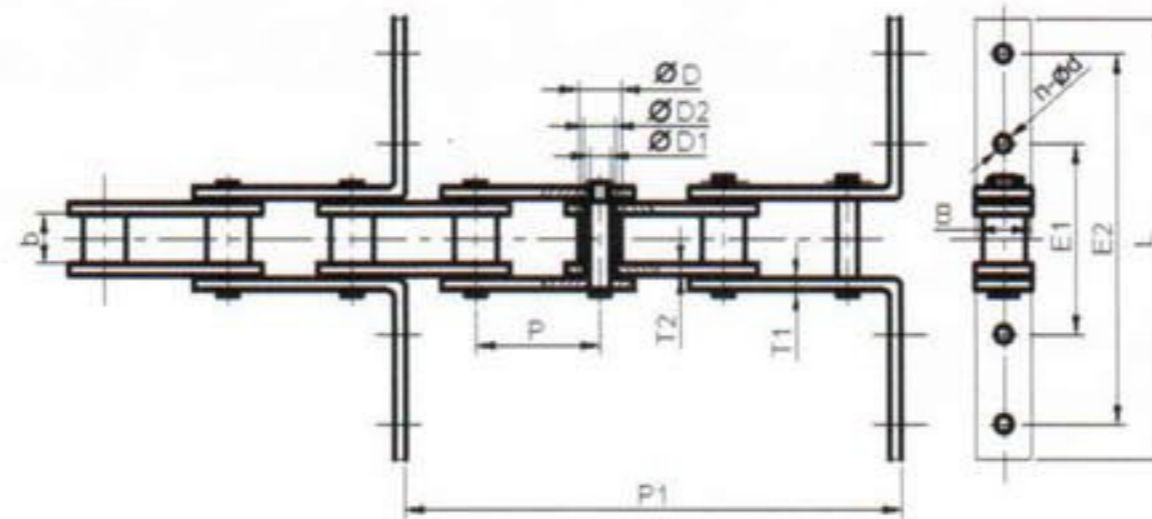
Roller Conveyor Chains



FEATURES

- It consists of a combination of inner and outer links.
- The bush/pin connections between the links are available in a circlip, split pin, or a riveted version.
- The steel scrapers can be either bent or welded.
- UHMWPE flights are suggested to attach to the scrapers for more efficiency and high wear resistance.

GLF Type

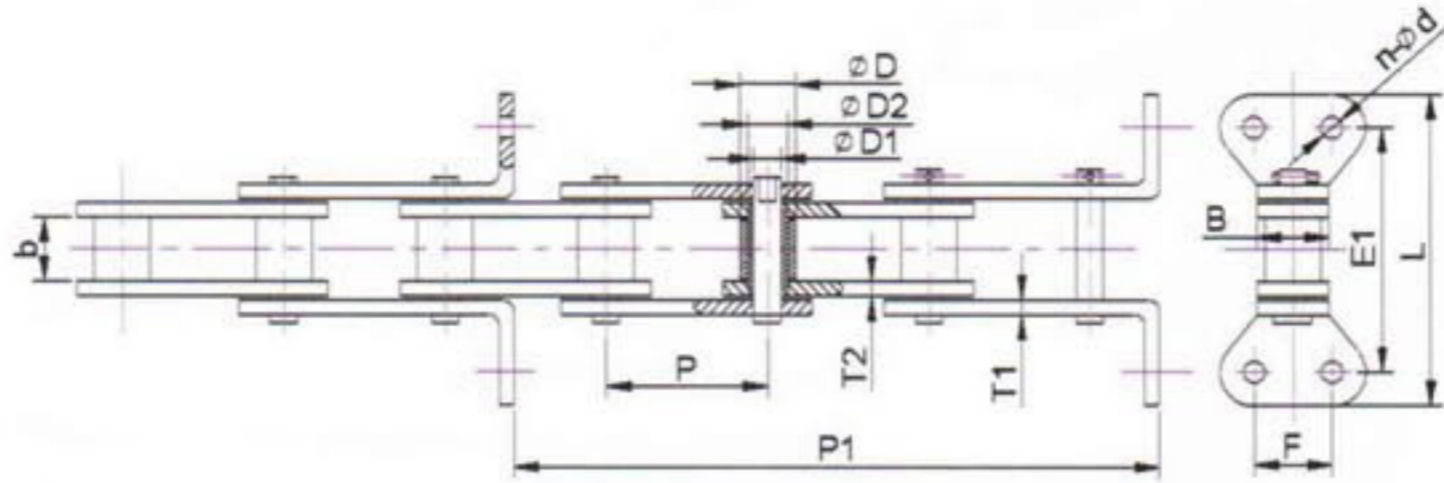


TECHNICAL SPECIFICATIONS

(Parameter in mm)

Model	Pitch (P)	Scraper Distance (P1)	Inner Width (b)	Plate Width (B)	T1	T2	Roller Dia. (D)	Bush Dia. (D2)	Pin Dia. (D1)	Chain Width (L)	E1	E2	Number of Holes (n)	d	Breaking Load in KN (Min.)
GLF66.675 (6)D×182	66.675	266.7	26	30	6	6	22.23		12.7	182	90	150	4	9	130
GLF66.675 (6)D×215	66.675	266.7	26	30	6	6	22.23		12.7	215	95	195	4	9	130
GLF66.675 (6)D×295	66.675	266.7	26	30	6	6	22.23		12.7	295	95	195	4	9	130
GLF100 (6)D×170	100	200	38	40	6	6	36	21.6	16	170	115		2	9	220
GLF100 (6)D×225	100	200	38	40	6	6	36	21.6	16	225	104	194	4	9	220
GLF100 (6)D×294	100	200	38	40	6	6	36	21.6	16	294	115	245	4	9	220
GLF100 (5)×225	100	200	28	30	5	5	22.23		14.27	225	95	195	4	9	90
GLF125 (8)D×285	125	500	50	50	8	8	32		19.9	285	155	255	4	9	220
GLF125 (6)×235	125	250	32.5	40	6	6	28.58	20	14.27	235	95	195	4	9	170
GLF160 (6)×290	160	320	27	45	6	6	32	20	14.27	290	193		2	9	193

GLR Type



TECHNICAL SPECIFICATIONS

(Parameter in mm)

Model	Pitch (P)	Scraper Distance (P1)	Inner Width (b)	Plate Width (B)	T1	T2	Roller Dia. (D)	Bush Dia. (D2)	Pin Dia. (D1)	Chain Width (L)	E1	F	Number of Holes (n)	d	Breaking Load in KN (Min.)
GLR66.675	66.675	266.7	27.5	30	6	6	24		13	130	102	32	4	9	90
GLR100	100	200	38	40	6	6	36	21.6	16	130	102	32	4	9	220

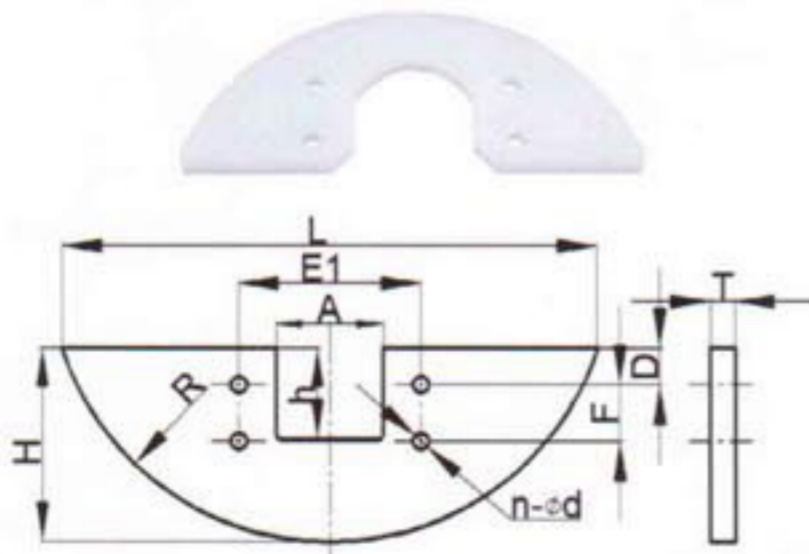
Flight Attachment

FEATURES

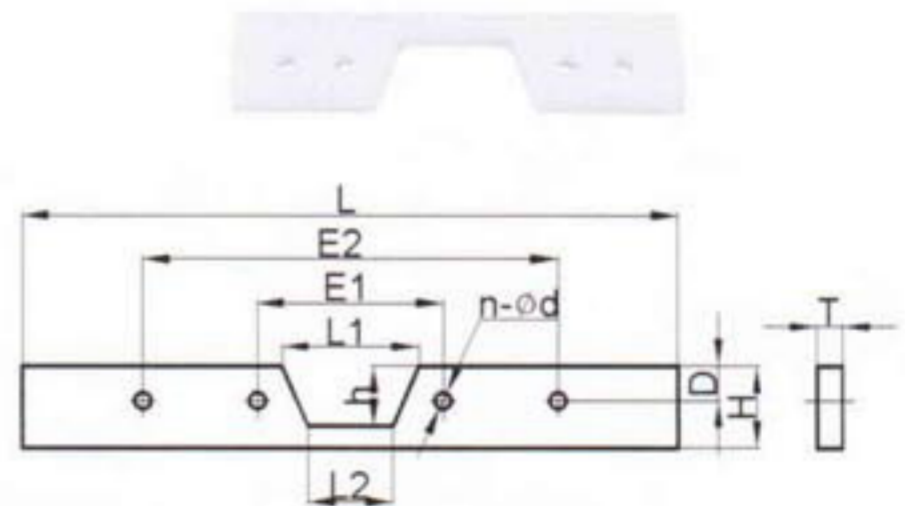
- High abrasion resistant, long life span.
- Reduce conveyor noise, less wear loss on the drag conveyor trough.

MATERIAL

UHMWPE



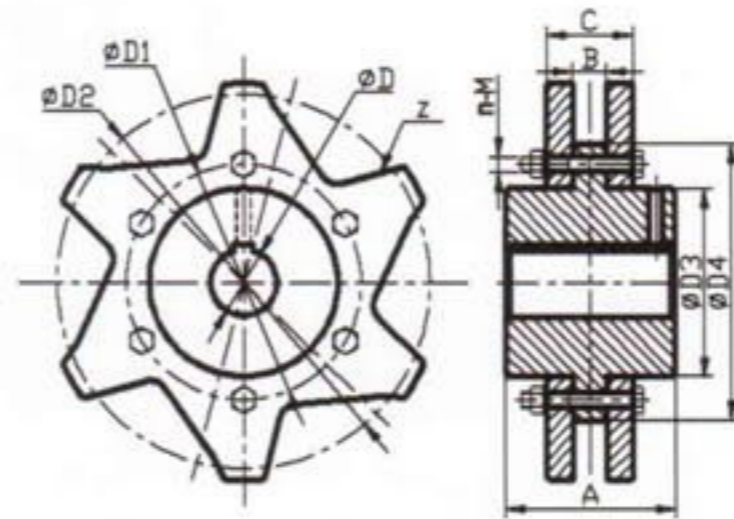
U Type Flight for GLR Chain Type



F Type Flight for GLF Chain Type

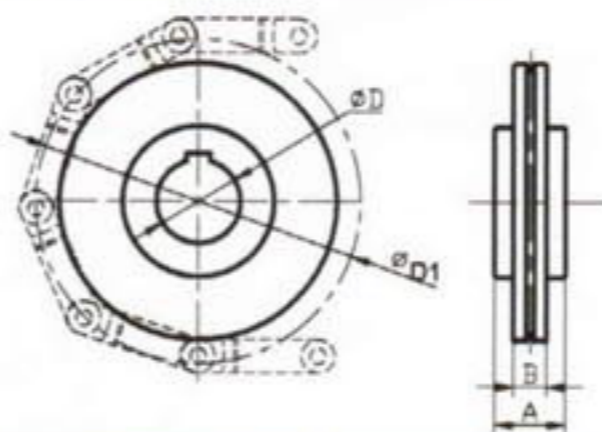
Chain Sprockets

Sprockets for Drop Forged Chains



Chain Model	Pitch (mm)	Gear Number Z	D2 (mm)	D (mm)	D3 (mm)	D1 (mm)	D4 (mm)	A (mm)	Number of Bolts	Bolt Size	B (mm)	C (mm)
P100	100	6	197.8	70	105	143	135	83	6	M12	16	36
	100	7	228.2	70	108	146	173	83	6	M12	16	36
	100	8	259.1	85	144	170	196	83	6	M12	16	36
	100	9	290.4	105	174	200	232	83	6	M12	16	36
	100	10	321.9	105	179	241.3	264	83	8	M12	16	36
P142	142	6	284	85	136.5	168.3	190.5	112	6	M12	16	46
	142	7	327.3	105	162	200	234	112	6	M16	16	46
	142	8	371.1	115	187.3	241.3	282	127	8	M20	16	46
	142	9	415.2	150	240	285.8	330	127	8	M20	16	46
	142	10	459.5	150	240	285.8	330	127	8	M20	16	46
	142	11	504	170	310	368.3	419	150	8	M20	16	46
	142	12	548.6	170	345	415	465	150	8	M20	16	46
	142	13	593.4	170	380	470	521	150	8	M20	16	46
	142	14	638.1	170	380	470	546	150	10	M20	16	46
P142H	142	7	327.3	105	162	200	234	127	6	M16	18	69
	142	8	371.1	115	187.3	241.3	282	150	8	M20	18	69
	142	9	415.2	150	240	285.8	330	150	8	M20	18	69
	142	10	459.5	150	240	285.8	330	150	8	M20	18	69
	142	11	504	170	310	368.3	419	150	8	M20	18	69
	142	12	548.6	170	345	415	465	150	8	M20	18	69
	142	13	593.4	170	380	470	520	180	8	M20	18	69
	142	14	638.1	170	380	470	546	180	10	M20	18	69

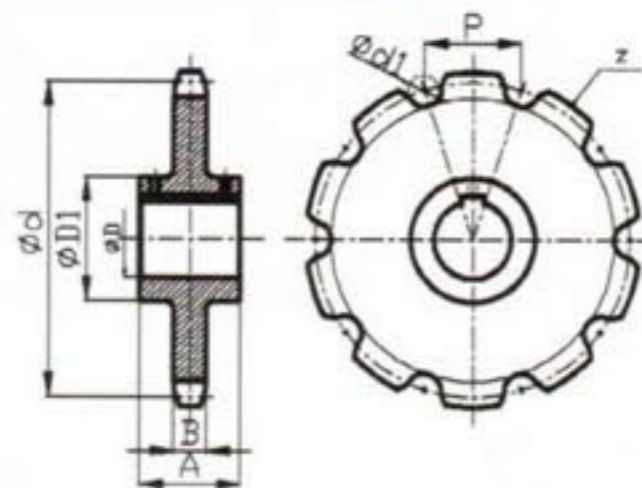
Trailers for Drop Forged Chains



Chain Model	Gear Number Z	D1 (mm)	D (mm)	A (mm)	B (mm)
P100	6	197.8	65	57	35
	7	228.2	65	57	35
	8	259.1	65	57	35
	9	290.4	65	57	35
	10	321.9	65	57	35
P142	6	284	85	74	45
	7	327.3	85	74	45
	8	371.1	85	77	45
	9	415.2	115	77	45
	10	459.5	115	77	45
	11	504	115	105	45
	12	548.6	115	105	45
	13	593.4	115	120	45
P142H	7	327.3	115	110	75
	8	371.1	115	110	75
	9	415.2	115	110	75
	10	459.5	115	120	75
	11	504	140	120	75
	12	548.6	140	120	75
	13	593.4	140	120	75
	14	638.1	140	140	75

Note: Customized sizes and material are available upon request

Sprockets for Roller Conveyor Chains

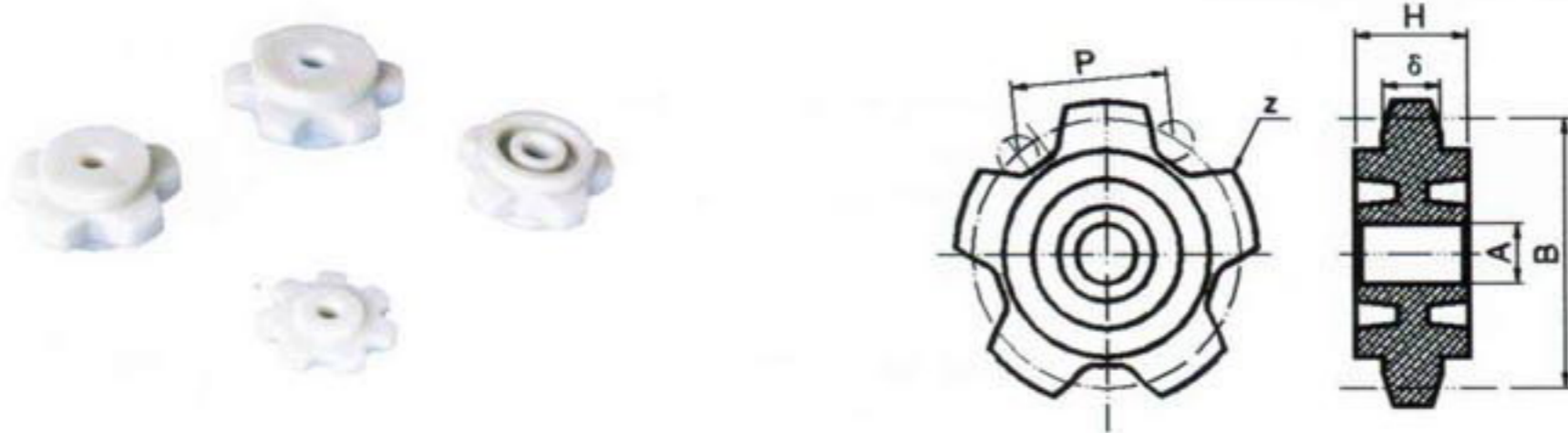


Chain Model	Pitch (mm)	Gear Number Z	d1 (mm)	d (mm)	D (mm)	D1 (mm)	A (mm)	B (mm)
66.675	66.675	6	22.23	133.41	40	75	80	22.8
	66.675	7	22.23	153.74	40	75	80	22.8
	66.675	8	22.23	174.31	50	100	100	22.8
	66.675	9	22.23	195.04	50	100	100	22.8
	66.675	10	22.23	215.87	60	110	100	22.8
	66.675	11	22.23	236.78	60	110	100	22.8
	66.675	12	22.23	257.74	60	110	100	22.8
100	100	8	36	261.44	60	110	100	33.2
	100	9	36	292.52	70	120	100	33.2
	100	10	36	323.77	70	120	100	33.2

Nylon Gear Wheels for Roller Conveyor Chains

FEATURES

It's used for supporting the uplink chain in the conveyors, to prevent effectively the chains from running interference caused by sinking down of the uplink chains especially for the long distance conveying. It's made from special reinforced nylon material.



SPECIFICATIONS

Model	A (mm)	B (mm)	δ (mm)	H (mm)	P (mm)	Gear Number Z
TG100X5	φ25	φ170.1	34.2	70	100	5
TG76.2X5	φ25	φ129.6	22.5	50	76.2	5
TG68X5	φ25	φ115.6	24	47	68	5
TG68X4	φ20	φ96.17	25	45	68	4
TG66.5X6	φ26	φ125	25	57	66.5	6
TG66.5X5	φ20	φ100	25	57	66.5	5
TG66.5X5-φ25	φ25	φ100	25	57	66.5	5
TG66.5X4	φ20	φ94.05	25	57	66.5	4
TG63.5X5	φ20	φ108	17	45	63.5	5
TG38.1X8	φ26	φ99.3	20	50	38.1	8
TG38.1X7	φ18	φ87.8	12.5	25	38.1	7

Note: Customized sizes and material are available upon request.